

# EPL154

## 1500kg Electric Pallet Truck



- Industrial floating stabilizing wheels for maximum stability
- Small size (l2=400mm) and reduced weight (160kg)
- 24V-30Ah removable Li-ion battery with metal protection cover
- Fast charging trough integrated charger
- Turtle button for operation in narrow spaces
- Available in different forks length and width



Manufacturer			EP
Model designation			EPL154
Drive			Electric
Load capacity	Q	kg	1500
Load center distance	c	mm	600
Service weight		kg	160
Length to face of forks	l2	mm	400
Overall width	b1/b2	mm	610/695
Fork dimensions	s/e/l	mm	55/150/1150
Turning radius	Wa	mm	1330
Max. gradeability, laden/unladen		%	6/16
Battery voltage/nominal capacity		V/Ah	24/30

## FEATURE

### ■ Optimized structure, easy operation

The metal protective cover of the battery can be flipped open and closed.

This simple cover allows for better security and reduces the chance of the battery becoming unplugged accidentally.



### ■ New design of plug-in&out battery

The truck uses on-board chargers and it can be charged whenever and wherever you want.

The truck can be equipped with Li-Ion batteries of 30Ah, which can meet different kinds of working condition. Li-ion battery developed by EP is equipped with BMS (battery management system), which is more convenient to use.



### ■ Rigorous design, stable operation

It is equipped with industrial floating universal wheels as standard and offers great passability.



### ■ Reliable drive system

EPL154 adopts the same mature and reliable drive system of EPT20-15ET, and its gradeability can reach 10% even with the load of 1000kg.

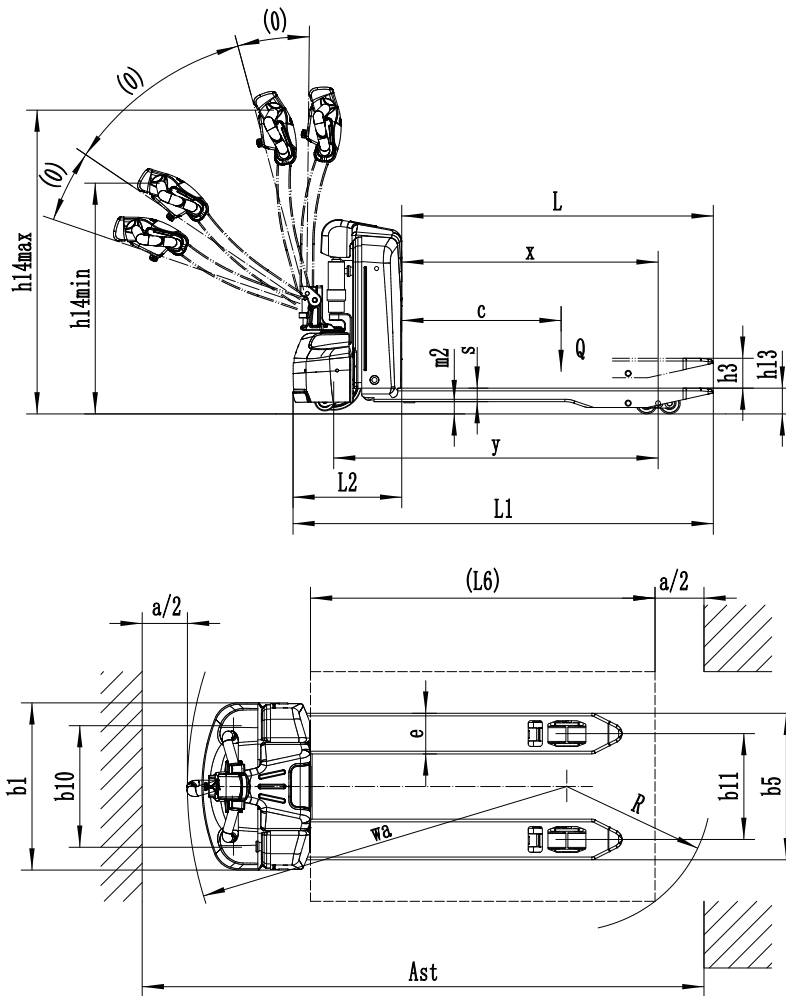


# Electric Pallet Truck 1.5T

## EPL154

Distinguishing mark				
1.1	Manufacturer			EP
1.2	Model designation			EPL154
1.3	Drive unit			Battery
1.4	Operator type			Pedestrian
1.5	rated capacity	Q	kg	1500
1.6	Load center distance	c	mm	600
1.8	Load distance	x	mm	940(875)
1.9	Wheelbase	y	mm	1200(1135)
Weight				
2.1	Service weight (include battery)		kg	160
2.2	Axle loading, laden driving side/loading side		kg	555/1105
2.3	Axle loading, unladen driving side/loading side		kg	130/30
Types,Chassis				
3.1	Tyre type driving wheels/loading wheels			PU/PU
3.2	Tyre size, driving wheels (diameter×width)		mm	Φ210x70
3.3	Tyre size, loading wheels (diameter×width)		mm	Φ80x60( Φ74x88)
3.4	Tyre size, caster wheels (diameter×width)		mm	Φ74x30
3.5	Wheels, number driving, caster/loading (x=drive wheels)		mm	1x, 2/4(1x, 2/2)
3.6	Track width, front,driving side	b10	mm	450
3.7	Track width,rear,loading side	b11	mm	390/(535)
Dimensions				
4.4	Lift height	h3	mm	115
4.9	Height drawbar in driving position min./max.	h14	mm	650/1170
4.15	Lowered height	h13	mm	80
4.19	Overall length	l1	mm	1550
4.20	Length to face of forks	l2	mm	400
4.21	Overall width	b1/ b2	mm	610(695)
4.22	Fork dimensions	s/ e/ l	mm	50x150x1150
4.25	Distance between fork-arms	b5	mm	540(685)
4.32	Ground clearance, center of wheelbase	m2	mm	30
4.34.1	Aisle width for pallets 1000 × 1200 crossways	Ast	mm	2094
4.34.2	Aisle width for pallets 800 × 1200 lengthways	Ast	mm	2146
4.35	Turning radius	Wa	mm	1330
Performance data				
5.1	Travel speed, laden/ unladen	km/ h	km/h	4.5/5
5.2	Lifting speed, laden/ unladen		m/ s	0.028/0.031
5.3	Lowering speed, laden/ unladen		m/ s	0.068/0.043
5.8	Max. gradeability, laden/unladen		%	6\16
5.10	Service brake type			electric
Electric-engine				
6.1	Drive motor rating S2 60 min		kW	0.75
6.2	Lift motor rating at S3 15%		kW	0.8
6.3	The maximum allowed size battery		mm	270*110*400
6.4	Battery voltage/nominal capacity K5		V/ Ah	24/30
6.5	Battery weight		kg	10
Addition data				
8.1	Type of drive control			DC
10.5	Steering type			mechanical
10.7	Sound pressure level at the driver's ear		dB (A)	<74

If there are improvements of technical parameters or configurations, no further notice will be given.  
The diagram shown may contain non-standard configurations.



## Option:

Optional items	EPL154
Fork dimension	<ul style="list-style-type: none"> <li>● 1150*540 ○ 800*540 ○ 900*540 ○ 950*540 ○ 1000*540</li> <li>○ 1070*540 ○ 1220*540 ○ 1300*540 ○ 1400*540 ○ 1500*540</li> <li>○ 800*685 ○ 900*685 ○ 950*685 ○ 1000*685 ○ 1070*685</li> <li>○ 1150*685 ○ 1220*685 ○ 1300*685 ○ 1400*685 ○ 1500*685</li> </ul>
Fork lowered height	● 80
Load backrest height	○ 1220mm (48in) ○ 1520mm (60in)
Drive cover ground clearance	● 30mm ○ 85mm
Load wheel type	● Double ○ Single
Load wheel material	● PU
Drive wheel material	● PU ○ Carved PU
Battery capacity	● 30Ah
Charger	● 24V-10A integrated ○ 24V-10A external ○ 29.4V/4A external
Battery indicator	● With hourmeter
Tiller	● Dual-handle Large Tiller
Castor wheels	● Yes and not customized ○ No
Buzzer	● Yes and not customized
Vertical handle: Creep speed	● Yes and not customized
Drive assembly	● Yes and not customized
Note:	● Standard ○ Optional - Inconformity