
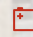


# EPL154

## ELECTRIC PALLET TRUCK 1.5T

 1500 kg  115 mm  24 V Li-Ion



The EPL154 is ideal for warehouses, retail, and logistics centers requiring stability and maneuverability in narrow spaces. Its small chassis (400 mm fork face length) and lightweight design (160 kg) make it perfect for confined environments, while the stabilizing wheels allow safe load handling even on uneven surfaces. With optional fork dimensions and charger configurations, the EPL154 adapts to various working conditions.

SPECIFICATION	REF	UNIT	VALUE
Battery type			Li-Ion
Battery nominal capacity K5		Ah	30
Battery voltage		V	24
Rated capacity	Q	kg	1500
Load centre distance	c	mm	600
Service weight		kg	160
Lift	$h_3$	mm	115
Overall length	$l_1$	mm	1550
Overall width	$b_1/b_2$	mm	610 (695)
Length to face of forks	$l_2$	mm	400
Fork dimensions	s/e/l	mm	50x 150x 1150
Turning radius	Wa	mm	1330
Manufacturer			EP
Model designation			EPL154
Drive			Electric
Operator type			Pedestrian

# Features

---

## Industrial stabilizing wheels

Equipped with floating stabilizing wheels as standard, the EPL154 provides maximum stability and smooth passability. This feature enhances operator confidence, especially when handling loads on slightly uneven floors.



## Removable Li-ion battery

A 24V/30Ah Li-ion plug-in battery with integrated BMS powers the truck. Its removable design with metal protection cover ensures safety, fast swapping, and reliable performance throughout the shift.

## Compact and lightweight

With just 400 mm fork face length and a service weight of 160 kg, the EPL154 is easy to maneuver in narrow aisles and confined spaces, while still handling up to 1.5 tons of load.





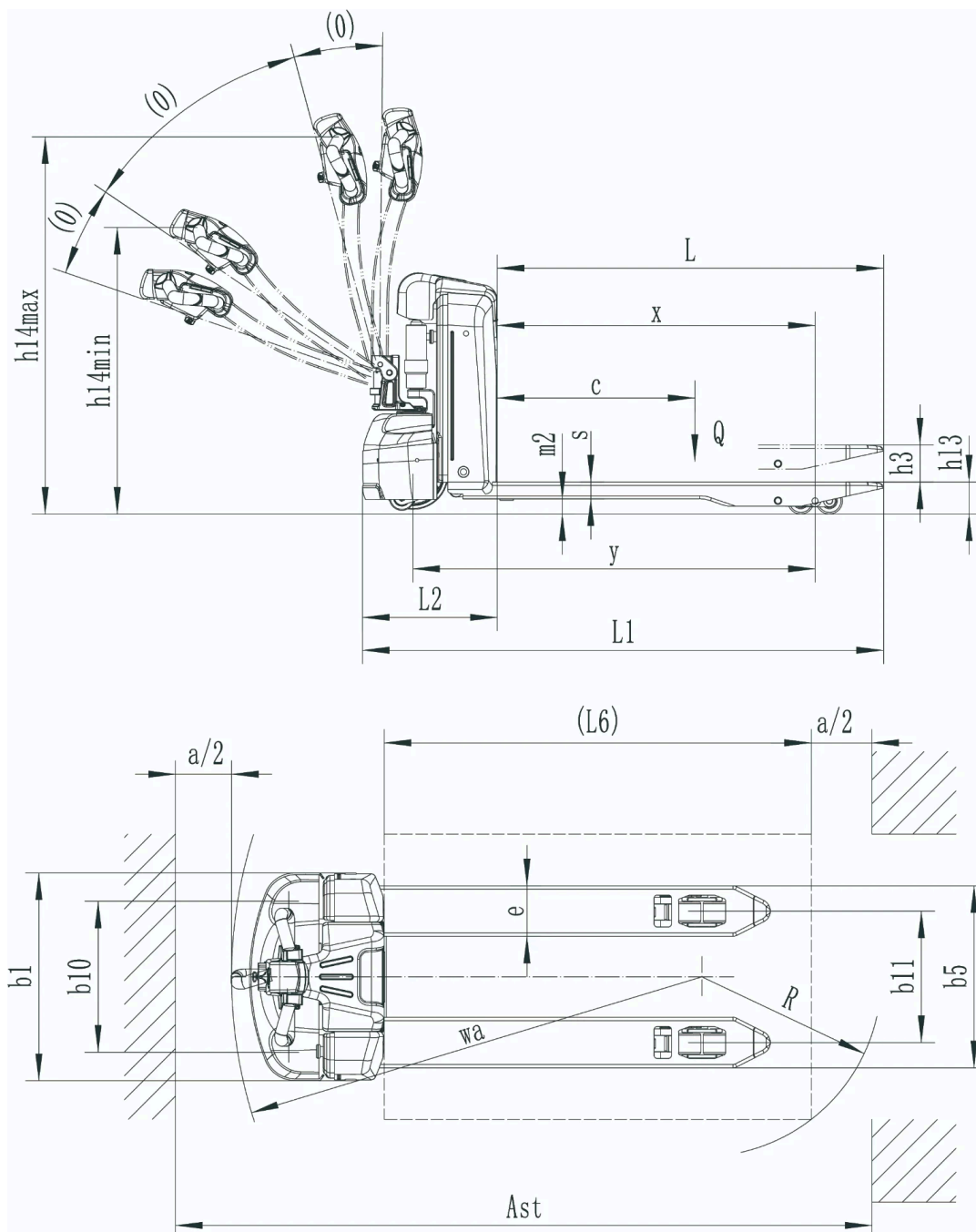
## Reliable drive system

The EPL154 adopts the proven drive system from the EPT20-15ET, delivering consistent power and durability. It also ensures gradeability up to 10% even with a 1000 kg load.

## VDI Chart

	SPECIFICATION	REF	UNIT	VALUE
1.1	Manufacturer			EP
1.2	Model designation			EPL154
1.3	Drive			Electric
1.4	Operator type			Pedestrian
1.5	Rated capacity	Q	kg	1500
1.6	Load centre distance	c	mm	600
1.8	Load distance, centre of drive axle to fork	x	mm	940 (875)
1.9	Wheelbase	y	mm	1200 (1135)
2.1	Service weight		kg	160
2.2	Axle loading, laden front/rear		kg	555/1105
2.3	Axle loading, unladen front/rear		kg	130/30
3.1	Tyres			Polyurethane
3.2	Tyre size, front		mm	210x70
3.3	Tyre size, rear		mm	80x60
3.5	Wheels, number front/rear (x=drive wheels)			1x 2/4(1x 2/2)
3.6	Tread width, front	b <sub>10</sub>	mm	450
3.7	Tread width, rear	b <sub>11</sub>	mm	390 (535)
4.4	Lift	h <sub>3</sub>	mm	115
4.19	Overall length	l <sub>1</sub>	mm	1550
4.20	Length to face of forks	l <sub>2</sub>	mm	400
4.21	Overall width	b <sub>1</sub> /b <sub>2</sub>	mm	610 (695)
4.22	Fork dimensions	s/e/l	mm	50x 150x 1150
4.34.1	Aisle width for pallets 1000×1200 crossways	Ast	mm	2094
4.34.2	Aisle width for pallets 800 × 1200 lengthways	Ast	mm	2146

	SPECIFICATION	REF	UNIT	VALUE
4.35	Turning radius	Wa	mm	1330
5.1	Travel speed, laden/unladen		km/h	4.5 / 5
5.2	Lift speed, laden/unladen		m/s	0.028/0.031
5.3	Lowering speed, laden/unladen		m/s	0.068/0.043
5.8	Max. gradeability, laden/unladen		%	6/16
5.10	Service brake			Electromagnetic
6.1	Drive motor rating S2 60 min		kW	0.75
6.2	Lift motor rating at S3 15%		kW	0.8
6.4	Battery nominal capacity K5		Ah	30
6.4	Battery voltage		V	24
6.4.1	Battery type			Li-Ion
6.5	Battery weight		kg	10
8.1	Type of drive unit			DC
10.5	Steering design			Mechanical
10.7	Sound pressure level at the driver's seat		dB(A)	<74



## Options

ITEM	OPTIONS (optional items marked in yellow)
Fork dimension	1150*540   800*540   900*540   950*540   1000*540   1070*540   1220*540   1300*540   1400*540   1500*540   800*685   900*685   950*685   1000*685   1070*685   1150*685   1220*685   1300*685   1400*685   1500*685
Fork lowered height	82
Load wheel type	Double   Single

ITEM	OPTIONS (optional items marked in yellow)
Load wheel material	PU
Drive wheel material	PU
Battery capacity	30Ah
Charger	24V-10A integrated   24V-10A external   29.4V/4A external
Battery display indicator (BDI)	With hourmeter
Castor wheels	Yes and not customized
Buzzer	Yes and not customized
Drive assembly	Yes and not customized